



# Amphenol

FIBER OPTIC PRODUCTS

## H-CONNECTOR

OUTDOOR ASSEMBLY



# SMALL FOOTPRINT FTTX ASSEMBLY



# Drop Assembly

## H-Connector

Amphenol's H-Connector assemblies provide a robust and sealed connection solution for fiber to the home (FTTH) connectivity.

The H-Connector end incorporates an SC/APC type connection within a slim, sealed, threaded polymer housing allowing easy connection to either a multi port terminal or in-line extension receptacle.

The SC/APC connectors mate to a standard adapter providing a common interface for FTTx applications.

Available with flat drop or traditional round style OSP cables, the H-Connector provides an ideal solution for direct burial, conduit or aerial installations.



Plug and In-line



Plug Assembly

In-line Receptacle

### Benefits

- Factory terminated and ready for field installation
- Provides superior weather resistance for FTTH and other outdoor applications
- Ensures functionality in harsh weather environments
- Can be used with industry standard cable designs
- Easily installs without special tooling
- Threaded style coupling
- Provides bend protection for installation and long term use

### Features

- Factory terminated for high performance
- IP68 water and dust protection
- Single fiber, SC-based connector
- Bird proof and rodent resistant
- Low profile in-line receptacle available
- No installation tools required
- 200 minimum mating cycles
- In-line connection available
- UV stable material per GR-20

1. O-Rings for water resistance
2. Threaded style mating
3. Indication arrow to ensure proper connection
4. Tethered dust cap



# Quick and Secure Coupling



Adapter



1

Unthread coupling nut



2

Slide dust cap off connector



3

Align flat key with notch on adapter



4

Insert connector into adapter



5

Slide forward housing and thread into adapter



5

Finished!

## Industry Compliance

Connectors are mechanically and optically intermateable with industry standard connectors and adapters and conform to TIA/EIA, IEC, and Telcordia specifications

RoHS compliant

Chemical and fungus resistant per GR-20 & GR-326

## Applications

FTTH

Outdoor Areas

Harsh Environment

## H-Connector Adapter



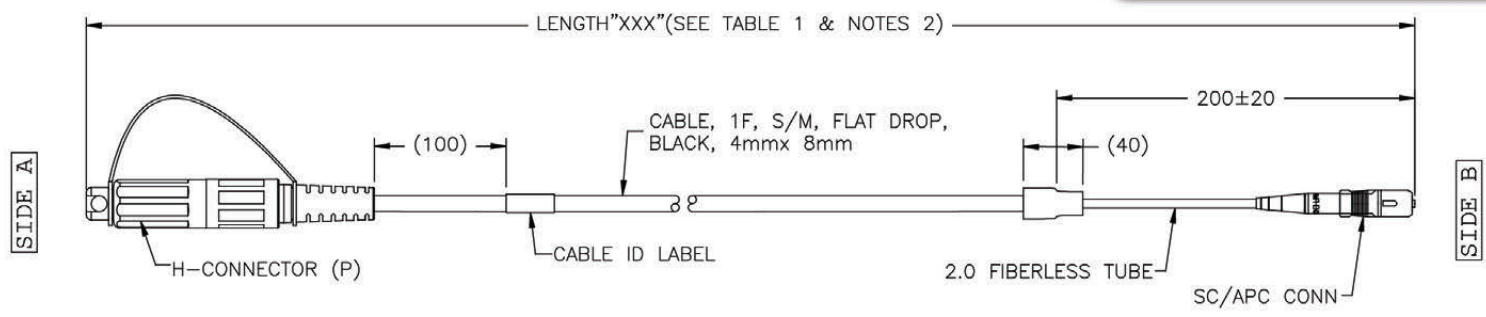


In-line

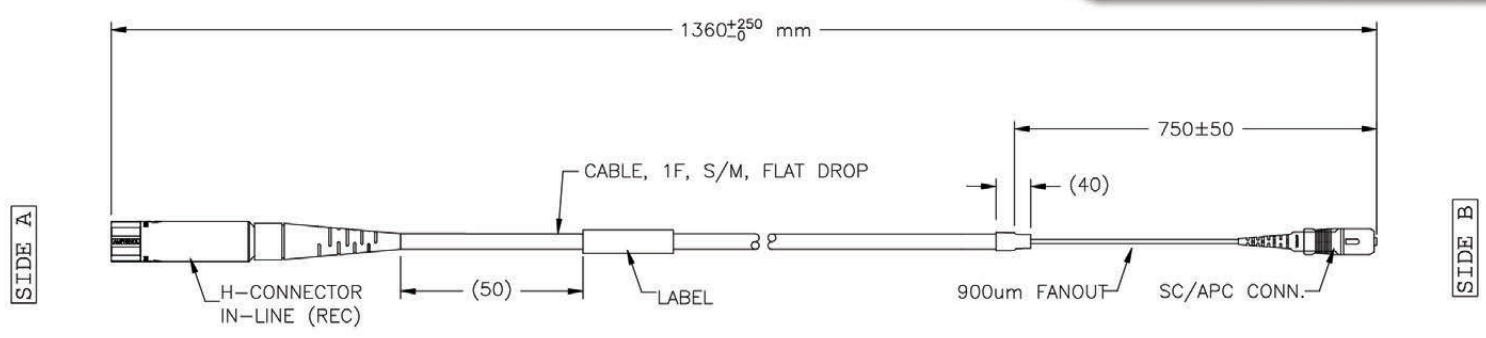
### Technical Specifications

Parameter	Specification
Insertion Loss	≤ 0.35dB typical
Return Loss	≤ -65dB
Cable Diameter Range	4.8mm to 7mm
Operating Temperature	-40° to 85° C
Axial Cable Retention	445 N (100lbs)

### H Connector - Plug



### H Connector - In-line



### Ordering Information

Part Number	Item Description
948-6001	H-CONN, ADAPTER
942-98522-1XXXX	PIGTAIL, H-CONN FLAT DROP SM
942-98469-1XXXX	PIGTAIL, H-CONN ROUND 7MM SM
942-99999-11515	JUMPER, H-CONN IN-LINE SM