

Amphenol

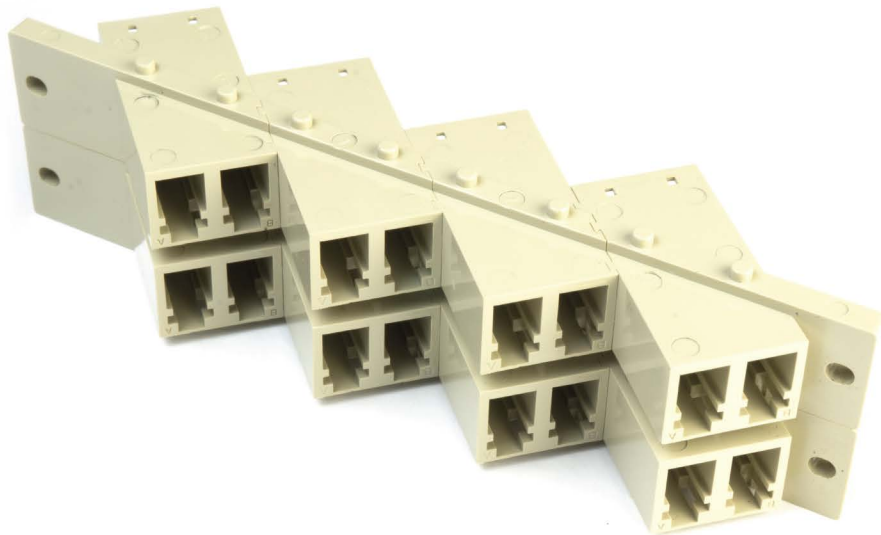
FIBER OPTIC PRODUCTS

STACKABLE ADAPTERS



Product Spotlight
November 14th, 2016





Stackable Adapters

MPO and LC

Amphenol's stackable adapter system is a innovative way to aggregate a high number of connections into a small footprint. The stackable adapters are modular and allow network and equipment designers to improve fiber density for applications that require high density. The stackable adapters have a track system for alignment and a permanent locking feature that prevents the adapters from coming loose.

Amphenol's stackable adapter system are for use with all IEC 61754-20 and TIA/EIA 604-10 compliant industry standard LC connectors and IEC 61754-7 and TIA/EIA 604-5 compliant industry standard MPO connector systems including the MTP® branded connectors.

The 45° angled ear end adapters enable directional cable routing of the LC/MPO assemblies. All Amphenol Stackable Adapters are offered with our patented internal shutter and external shutters as an option.

Amphenol Fiber Optic Products will preassemble the stackable adapters into your custom configuration saving you time and ensuring the highest quality.



Industry Compliance

RoHS compliant

Meets IEC 61754-7 and TIA/EIA 604-5 industry standards (MPO)

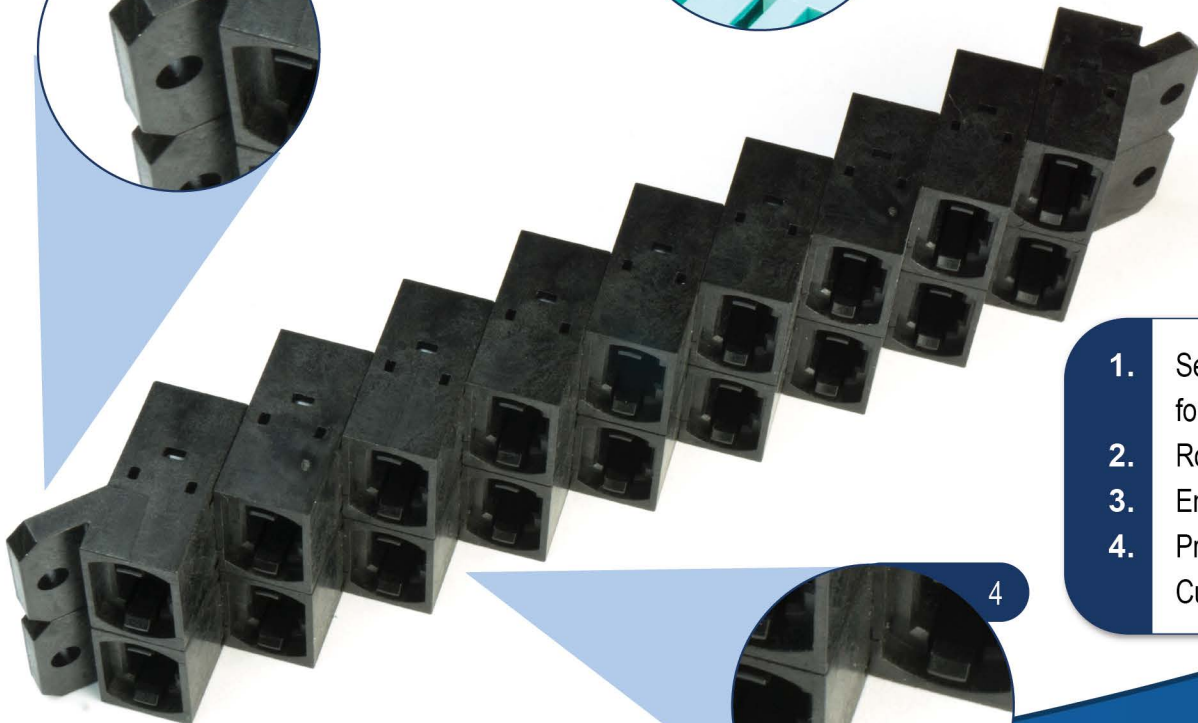
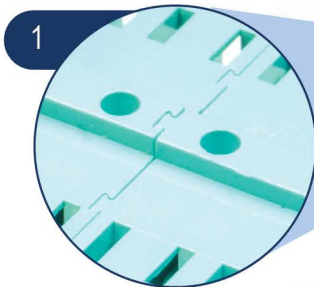
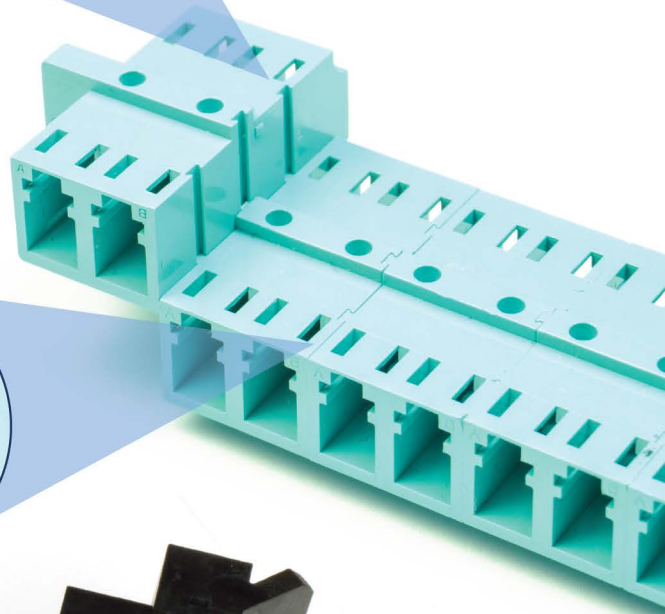
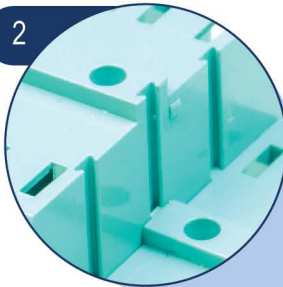
Meets IEC 61754-20 and TIA/EIA 604-10 industry standards (LC)

Features and Benefits

Straight Ear End Adapter	Use for mounting with center adapters for straight cable routing
Outer 45° Angled Ear Adapter	Use for mounting with center adapters for angled routing
Inner 45° Angled Ear Adapter	Use with outer mounting adapters for angled routing
Simplex Center Adapter	Use for odd numbered MPO ganged clusters
Duplex Center Adapter	Use for even numbered MPO ganged clusters

MPO Straight Stackable Adapters





1. Seamless Connections for High Density
2. Robust Connections
3. End Ears for Mounting
4. Preassembled to Meet Custom Configuration

Commitment to Quality

Amphenol

Amphenol is the world's leading interconnectivity provider. Founded in 1932, Amphenol designs, manufactures, and markets fiber optic, electrical, and coaxial interconnect products. Amphenol products are engineered and manufactured in the Americas, Europe, Asia, and Africa and offered through a worldwide sales and marketing organization.

Experience

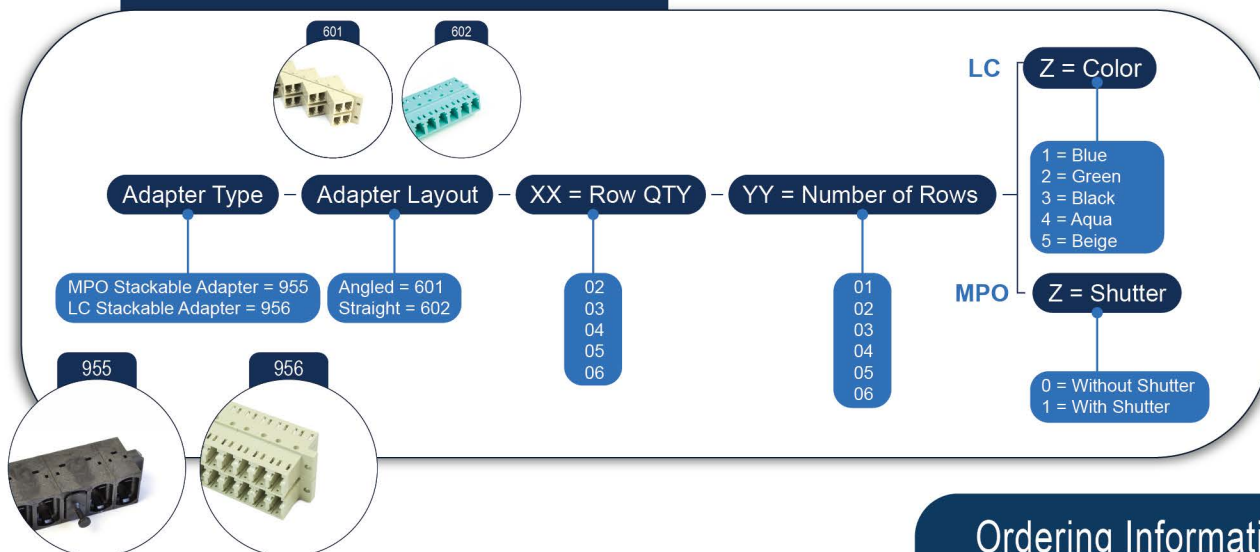
As a manufacturer with over 80 years of interconnect design and development, Amphenol leads innovation in connector technology. Utilizing this experience, Amphenol is able to develop a cost effective end-to-end solution to satisfy a customer's full connectivity and cabling needs.

Reliability

Amphenol has a long history of total quality performance. Our high quality products, helpful customer service, and dependable product support from design through production result in satisfied customers.



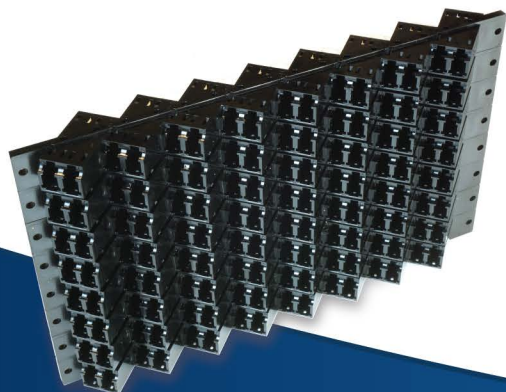
Part Number Builder



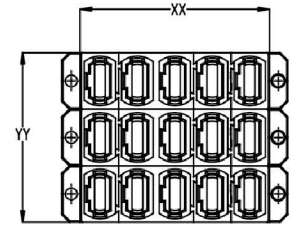
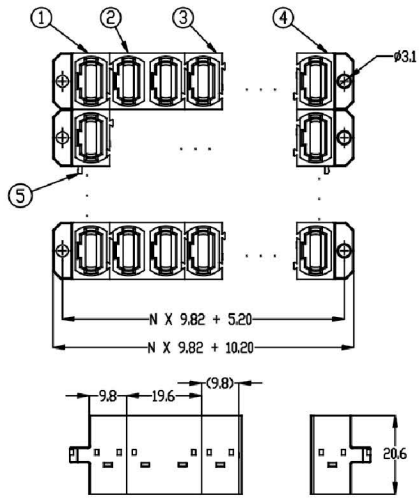
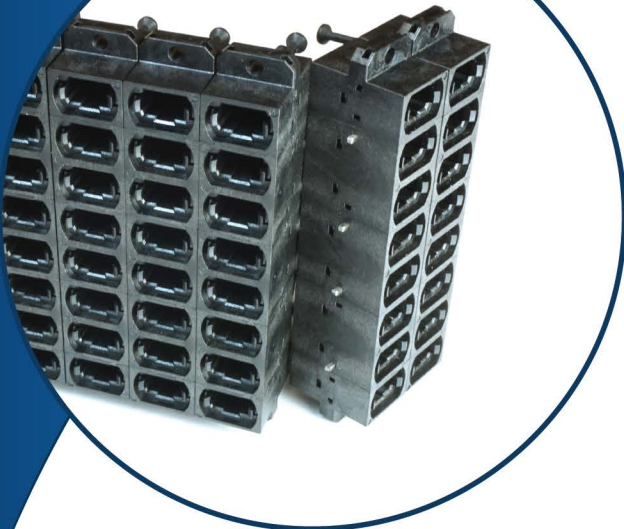
Ordering Information

Part Number	Item Description
956-602-02013	ADAPTER, STACKABLE LC STR 1x2
956-602-02023	ADAPTER, STACKABLE LC STR 2x2
956-602-04013	ADAPTER, STACKABLE LC STR 1x4
956-602-06013	ADAPTER, STACKABLE LC STR 1x6
955-602-02010	ADAPTER, STACKABLE MPO 1x2
955-602-02020	ADAPTER, STACKABLE MPO 2x2
955-602-02040	ADAPTER, STACKABLE MPO 4x2
955-602-04010	ADAPTER, STACKABLE MPO 1x4
955-602-04020	ADAPTER, STACKABLE MPO 2x4

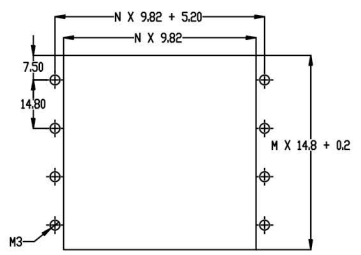
*Please call customer service for additional configurations



MPO Straight Stackable Adapters



EXAMPLE VIEW
3X5 STRAIGHT ADAPTER



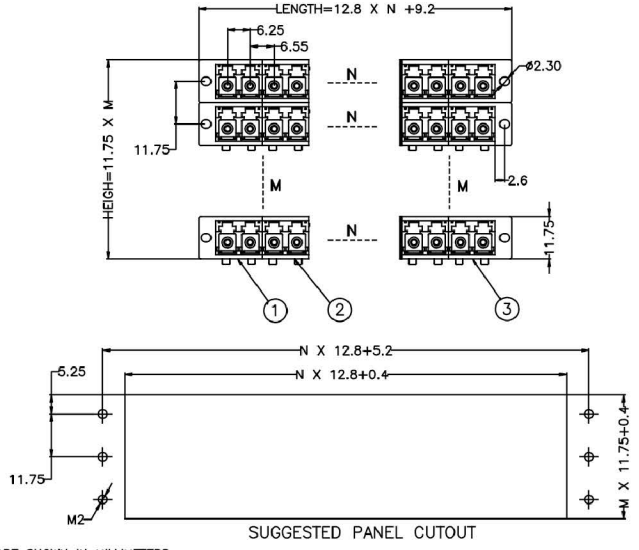
SUGGESTED PANEL CUTOUT CALCULATION
SEE NOTE 4

NOTES:

1. DIMENSIONS ARE SHOWN IN MILLIMETERS.
2. PART NUMBER 955-602-XXXXZ, WHERE:
XX = NUMBER OF ADAPTER PORTS IN A ROW. THE MINIMUM IS 2, WHICH MEANS EACH ROW CONTAINS ONLY 2 ADAPTERS, ONE ADAPTER WITH LEFT FLG, ONE ADAPTER WITH RIGHT FLG.
YY = NUMBER OF ROWS, THE MINIMUM IS 1.
Z = SHUTTER, Z=0 INDICATES WITHOUT SHUTTER, Z=1 INDICATES WITH SHUTTER.
(i.e. 955-602-05030 IS 3 ROWS, EACH ROW CONTAINS 5 ADAPTER PORTS, WITHOUT SHUTTER, AS SHOWN IN EXAMPLE VIEW).
3. ASSEMBLE ROW BY ROW USING METAL CLIP.
4. FOR PANEL CUTOUT CALCULATION ONLY:
"N" MEANS THE NUMBER OF SIMPLEX ADAPTERS IN A ROW.
"M" MEANS THE NUMBER OF ROWS ASSEMBLED VERTICALLY.
5. ADAPTER COMPLIES WITH IEC 61754-7 AND TIA/EIA 604-5 MATING STANDARDS.
6. DUST CAPS NOT SHOWN FOR CLARITY.
7. ADAPTERS AVAILABLE WITH OR WITHOUT SHUTTERS (SHOWN WITHOUT SHUTTERS).
8. ADAPTERS AVAILABLE KEY UP/KEY UP OR KEY UP/KEY DOWN.
9. SUGGESTED PANEL THICKNESS: 1.6mm
10. A -P AT THE END OF PART NUMBER INDICATES BULK PACKED.

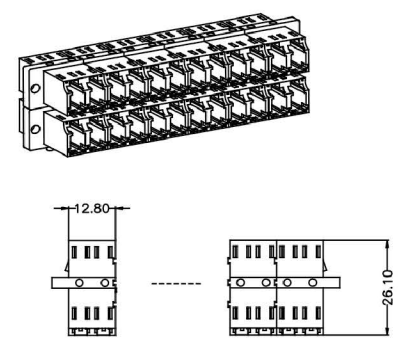
LC Straight Stackable Adapters

FRONT VIEW:



ITEM	DESCRIPTION	QTY
1	ST LC STACKABLE ADAPTER LEFT FLG	M
2	ST LC STACKABLE ADAPTER MIDDLE	(N-2) X M
3	ST LC STACKABLE ADAPTER RIGHT FLG	M

EXAMPLE VIEW: 956-602-06023
2X6, BLACK, 24 FIBERS



- NOTES:**
1. DIMENSIONS ARE SHOWN IN MILLIMETERS.
 2. PART NUMBER:
956-602-XXXXZ, WHERE:
XX = NUMBER OF ADAPTERS IN A HORIZONTAL ROW. THE MINIMUM IS 2, WHICH MEANS EACH ROW CONTAINS ONLY 2 ADAPTERS: ONE ADAPTER WITH LEFT FLANGE, ONE ADAPTER WITH RIGHT FLANGE.
YY = NUMBER OF ROWS, THE MINIMUM IS 1.
Z=COLOR: 1=BLUE, 2=GREEN, 3=BLACK, C=AQUA, E=BEIGE.
 3. FOR PANEL CUTOUT CALCULATION ONLY:
"N" MEANS THE NUMBER OF ADAPTERS IN A HORIZONTAL ROW.
"M" MEANS THE NUMBER OF ROWS ASSEMBLED VERTICALLY.
 4. MATERIALS:
HOUSING: THERMOPLASTIC, UL-94 V-0 RATED.
DUST CAPS: THERMOPLASTIC, UL-94 V-0 RATED (NOT SHOWN FOR CLARITY).
ALIGNMENT SLEEVE: ZIRCONIA.
 5. SUGGESTED PANEL THICKNESS IS 1.6MM.
 6. PARTS ARE RoHS COMPLIANT AND MEET AMPHENOL REGULATED MATERIAL SPECIFICATIONS 949-1604.
 7. A -P AT THE END OF PART NUMBER INDICATES BULK PACKAGE.