



# Amphenol

FIBER OPTIC PRODUCTS

*Mini* **AMT**

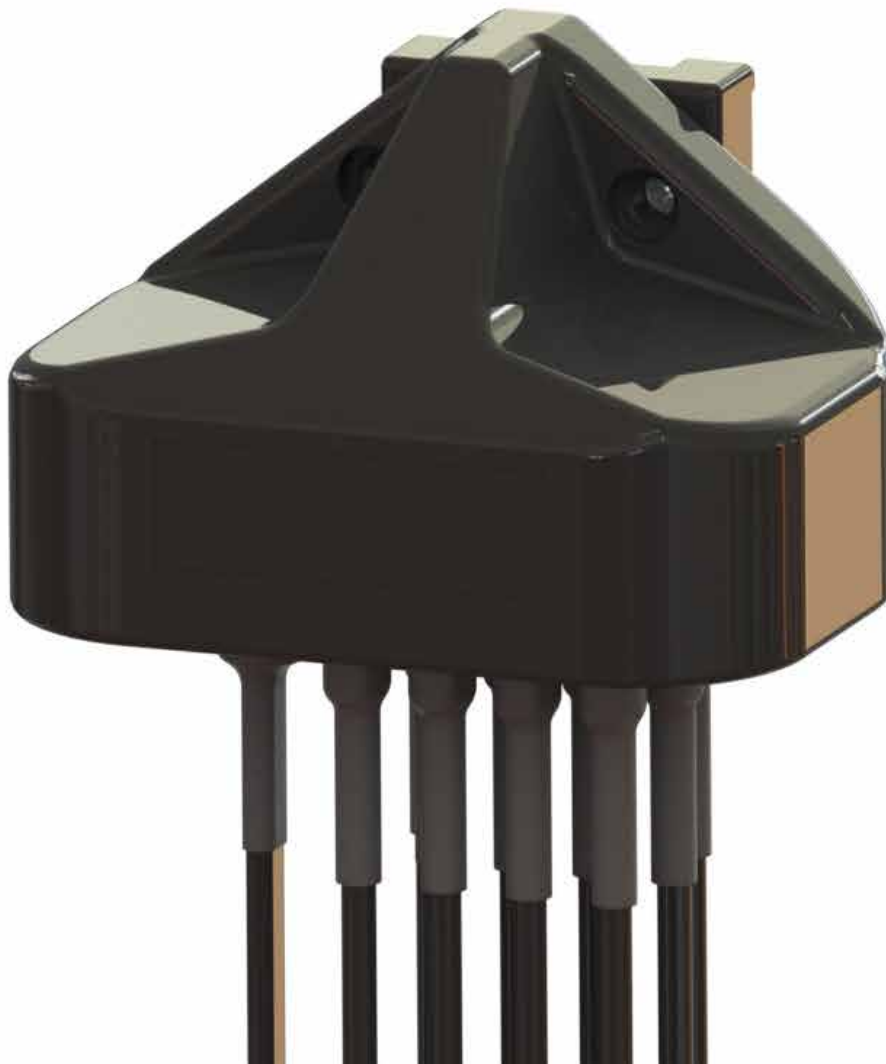
Mini Amphenol Multiport Terminal

# FTTx DISTRIBUTION BOX



## Distributed Split Architecture

The Mini AMT supports distributed split architecture is designed to push the PON splitters further into the network and closer to the customer's premise with multiple levels of splitting. In order to support this network architecture Amphenol Fiber Optic Products has developed a small form factor, factory sealed, closure that will house up to a 1 x 8 splitter. Amphenol Fiber Optic Products also has a family of FTTH network access terminal and hardened fiber optic connectors to support the plug-and-play demands of the market.



# MINI AMT (Mini Amphenol Multiport Terminal)

Amphenol offers network distribution points in various configurations and footprints. The Mini Amphenol Multiport Terminal (Mini AMT) is ideally suited for applications where minimal space impact is desired. Various port options and connector styles allow for flexibility and customization depending on the number of outputs needed. The housing accommodates splitters in 1x4 and 1x8 formats. Robust plastic design is factory sealed to guarantee IP67/68 ingress protection and applicable GR-771-Core requirements.



## Features and Benefits

Configurations	4,6,8,12 Port
Input	Tether or Stub
Outputs	Tethers w/ In-line
Fiber Type	Single Mode/ Multimode
Mounting	Aerial, Pole, Wall

## Mechanical Specifications

Length	120mm
Width	96mm
Height	78mm
Splitter Types	1x4 and 1x8
Material	Rugged UV Resistant Plastic

## Environmental Specifications

Installation Temperature	-18°C to +40°C
Operating Temperature	-40°C to +75°C
Ingress Protection	IP67/IP68 & GR-771-CORE

## Industry Compliance

GR	3122
	3120
	771



# FEATURES & BENEFITS



Private Labeling

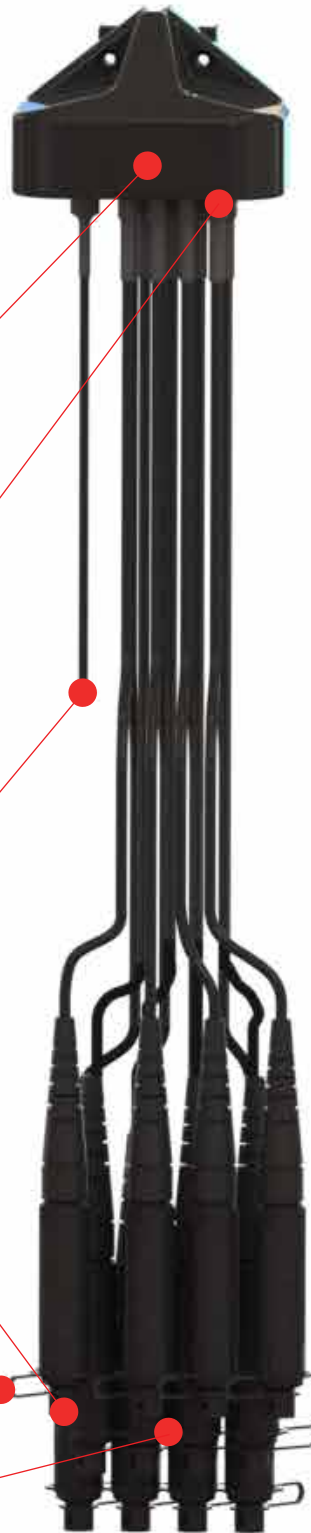
Port Identification

Input Options  
Tether or Stub

IP67(8) Dust Caps

Removable Tethers

Output Options  
Tethers w/ In-line Receptacle



Bottom

Front

Rear

Side

Top

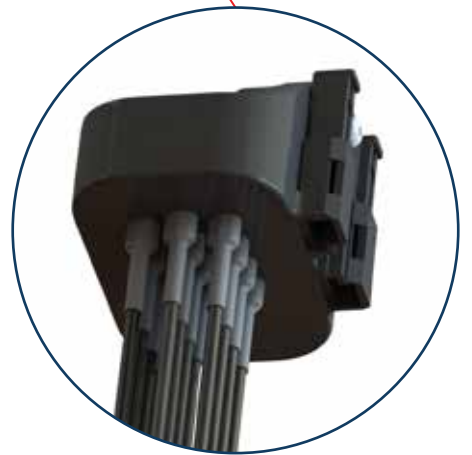
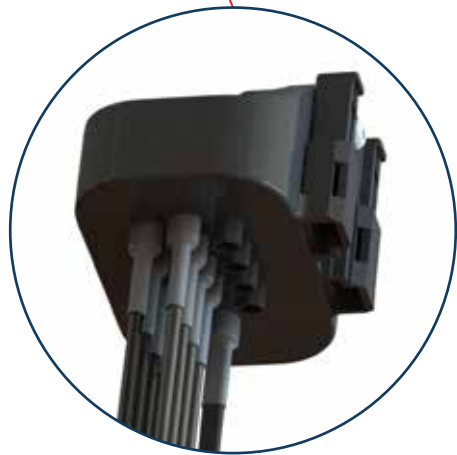
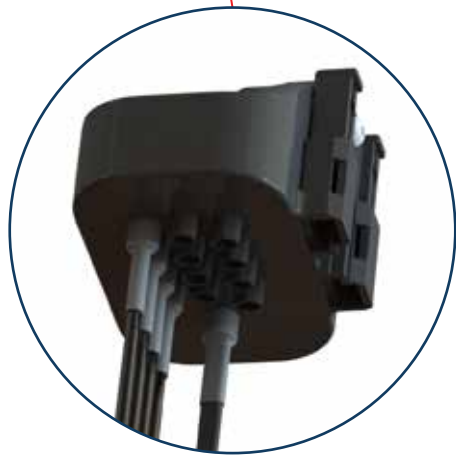


# PORT CONFIGURATIONS

4 Port

8 Port

12 Port



## NOTE

Additional Port Options Available Upon Request

# MOUNTING OPTIONS

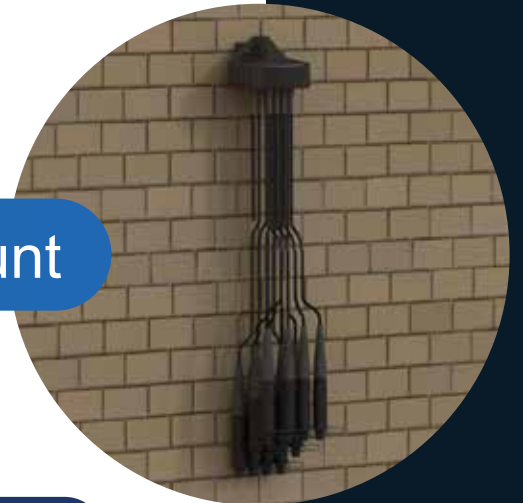
## Pole Mount



Slot for Hose Clamp

Groove to Align to Pole

## Wall Mount



Holes for Screws

## Aerial Mount

